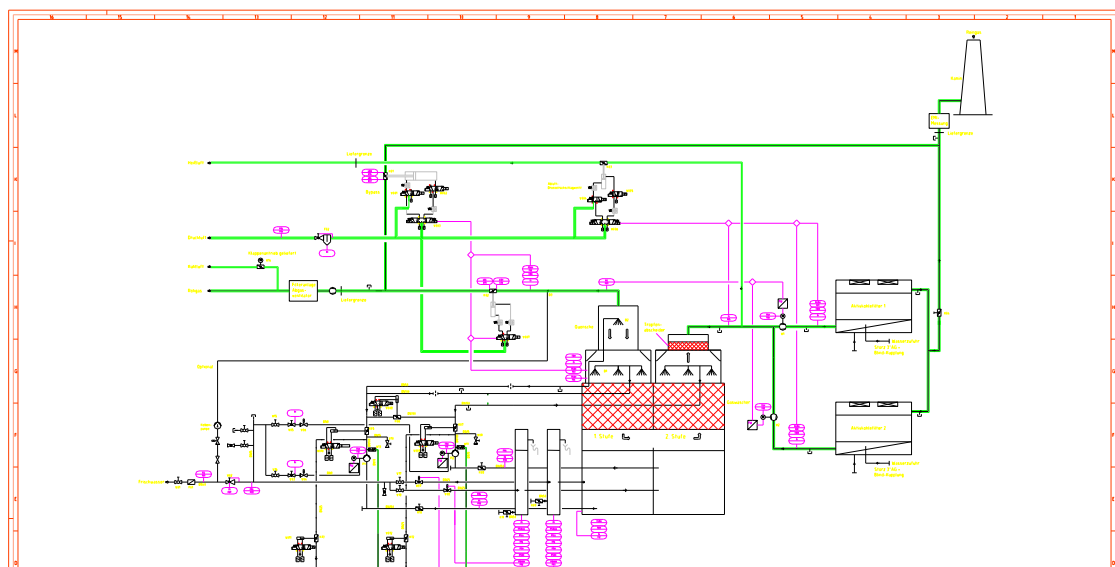


Reference No.: 6.35

## Exhaust gas cleaning gas scrubber

The two-stage scrubber facilitates the wet cleaning of acidic exhaust gases such as usually occur in combustion equipment.

The cooling of the exhaust gases occurs in the so-called quench zone through contact with circulating scrubbing water. The subsequent first scrub essentially fulfils two functions: the saturation of the exhaust gases and the absorption of HCl and HF. The second scrub serves above all to separate SO<sub>2</sub> and is also executed as a biological wash. In the third level the cleaned gas is directed to the active carbon filter. There it is submitted to dry cleaning (adsorption) and subsequently directed out through a flue.



### Technical data:

Max exhaust gas volumetric flow: 45,000 Nm<sup>3</sup>/h  
 Independent control of both scrubbing stages